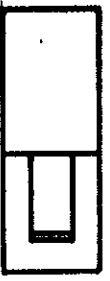
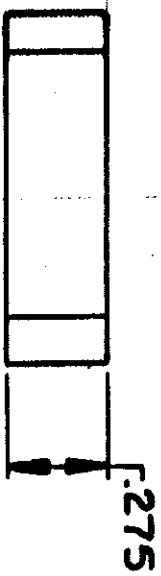
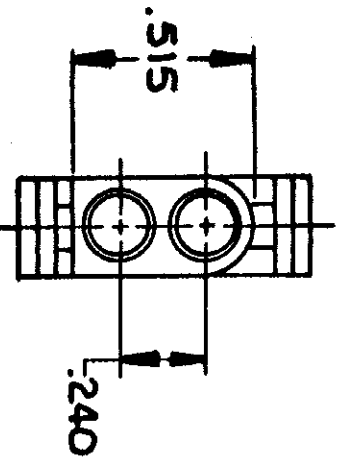
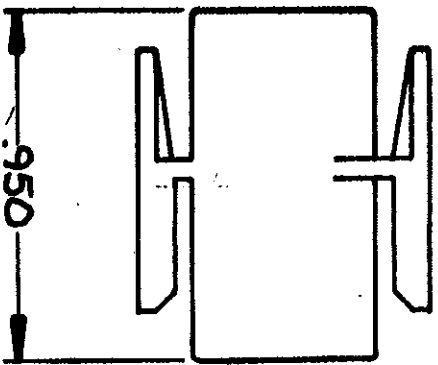
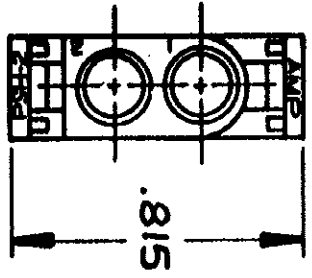


DRAWING MADE IN THIRD ANGLE PROJECTION

THIS DRAWING IS UNPUBLISHED. RELEASED FOR PUBLICATION

© COPYRIGHT 19 BY AMP INCORPORATED, HARRISBURG, PA. ALL INTERNATIONAL RIGHTS RESERVED. AMP PRODUCTS MAY BE COVERED BY U.S. AND FOREIGN PATENTS AND/OR PATENTS PENDING.

| REVISIONS | | DATE | APPROVED |
|-----------|---------|---------|----------|
| 1 | Loc CM | 7-29-86 | Kul/rs |
| 2 | DIST 53 | | |
| 3 | | | |
| 4 | | | |



OPTIONAL CONSTRUCTION

- 2. ACCEPTS .140 SERIES SOCKETS.
- 3. MATES WITH CAP 350345.

| | | | |
|--|--|------------------------|--|
| UNLESS OTHERWISE SPECIFIED DIMENSIONS ARE IN INCHES. DECIMALS TO: .005 ANGLES ± .005 | | CONTRACT NO. | |
| MATERIAL NYLON UL94V-2 | | DR DATE 7-29-86 | |
| COLOR NATURAL | | APPD BY [Signature] | |
| OTHER APPD | | DSGN APPD | |
| NAME AMP AMP INCORPORATED HARRISBURG, PA. | | SIZE B | |
| PART NO 1-350344-0 | | FSCM NO 00779 | |
| DRAWING NO 350344 | | DRAWING NO 350344 | |
| SCALE 2:1 | | SHEET 1 OF 1 | |

CUSTOMER DRAWING